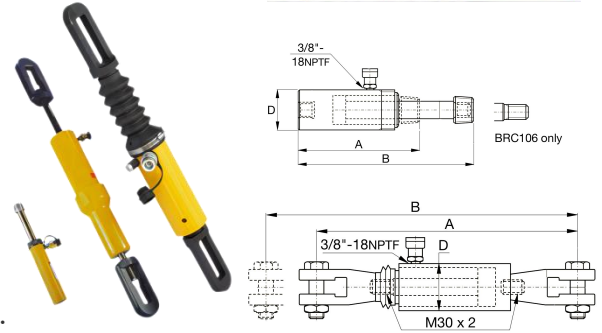


## ➤ Hydraulic Puller Cylinder

- High strength alloy steel construction.
- Plunger blow-out protection to prevent over-extension.
- Hard chrome-plated plunger for long life.
- CR-400 coupler and included on all models.
- Baked enamel finish for increased corrosion resistance.
- Plunger wiper reduces contamination, extending cylinder life.
- Single-acting spring return.



Model	Max. Pressure (bar)	Capacity (T)	Stroke (mm)	Collapsed Height A (mm)	Extended Height B (mm)	Outside Diameter D (mm)	Inner Diameter (mm)	Cylinder Effective Area (cm <sup>2</sup> )	Oil Capacity (cm <sup>3</sup> )	Weight (kg)
KSBRC-25	700	2.5	127	264	391	48	28.4	3.5	45	1.8
KSBRC-46		5	140	301	441	57	42.9	7.3	101	4.5
KSBRC-106		10	151	289	440	85	54.1	15.0	228	9.5
KSBRP-106C		10	150	601	751	85	54.1	15.8	238	15.3
KSBRP-106L		10	150	573	723	85	54.1	15.8	238	13.3
KSBRP-306		30	154	1110	1264	137	88.9	46.4	715	63.1
KSBRP-606		60	153	718	871	140	110.1	72.1	1096	58.3